

730 Eclipse Paddle Slam Latch

Features

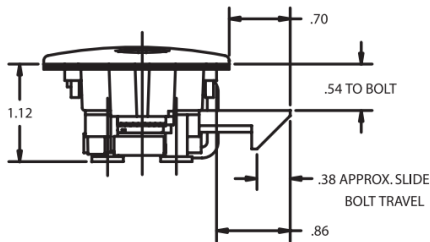
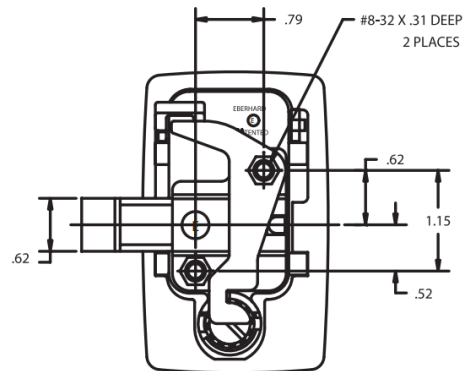
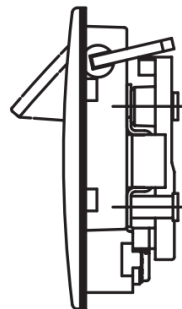
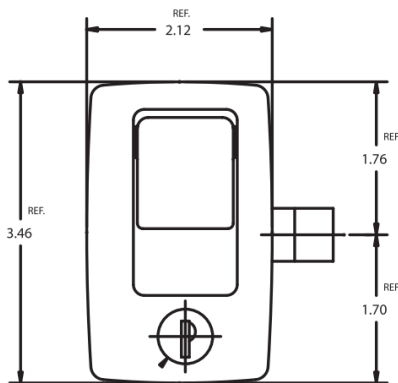
- Paddle design with slam bolt on side
- Produced with UV stabilized thermoplastic and stainless steel components, latch is suitable for extreme applications that deal with water including boats, campers, trailers, or outdoor containers
- Easy installation with the use of the mounting bracket and 2 screws, which are provided. No external fasteners required and no weld marks to mar finish.
- Key-locking version is furnished with two keys

Material

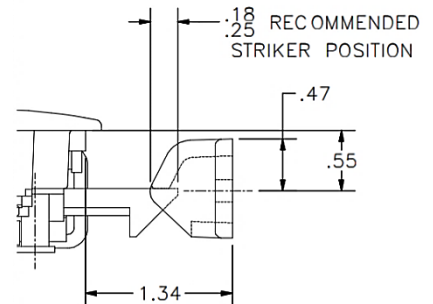
- Paddle handle and housing are manufactured from high strength, UV stabilized thermoplastic
- Metal stampings are 300 Series stainless
- Key cylinder is zinc die cast

Notes

- Striker (ECL-19) also available as separate order



ECL-19 STRIKER
(ORDER SEPARATELY)



Part No.	Type	Finish
ECL-730-P8-MB	Non-Locking	Matt Black
ECL-730-P8-MW		Matt White
ECL-730-KP8-MB	Key Locking	Matt Black
ECL-730-KP8-MW		Matt White

Dimensions in inches



We are Eberhard's exclusive distributor